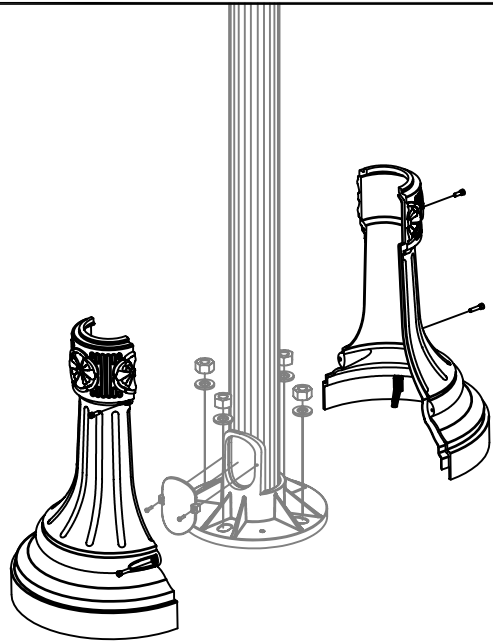
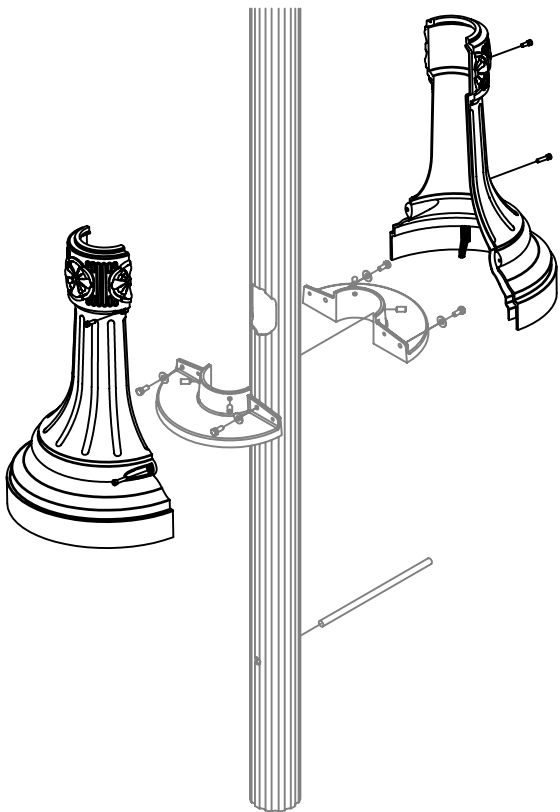


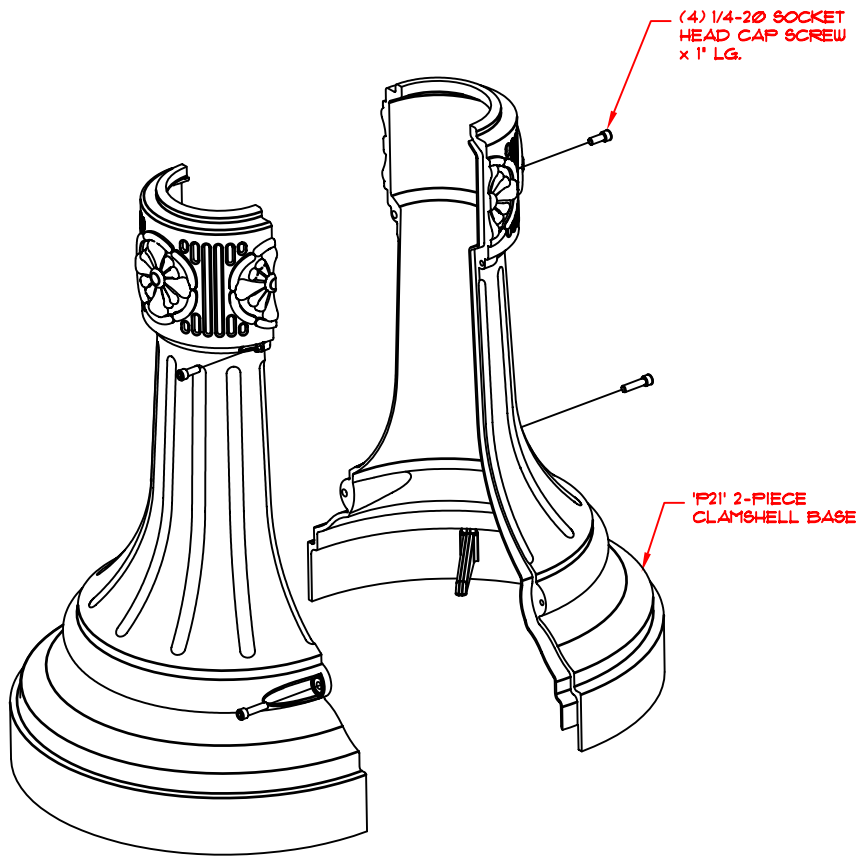
**TAPERED POLE
CONFIGURATION**




**STRAIGHT FLUTED or SMOOTH POLE/
ANCHOR-BOLT CONFIGURATION**



**DIRECT-BURIAL
CONFIGURATION**



		INSTALLATION DETAILS FOR P21 BASES	
<small>THIS PRINT IS THE PROPRIETARY, INTELLECTUAL AND CONFIDENTIAL PROPERTY OF STONEBRIDGE LIGHTING AND MAY NOT BE USED OR REPRODUCED WITHOUT THE EXPRESS WRITTEN CONSENT OF STONEBRIDGE LIGHTING. ANY USE HEREOF OR OF ANY INFORMATION CONTAINED HEREIN SHALL BE FOR THE SOLE BENEFIT OF STONEBRIDGE LIGHTING OR ITS AFFILIATES. © 2008 STONEBRIDGE LIGHTING</small>			
<small>DWG. No.</small> P21_SA	<small>DATE</small> 12/30/2008	<small>DRAWN BY:</small> R. A. M.	<small>APPROVED BY:</small> M. K.
<small>UNLESS NOTED OTHERWISE</small>			
<small>ALL DIMENSIONS ARE IN INCHES ALL THREADS ARE UNC-2A/B OR UNF 2A/B</small>			